

Use

The Zehnder ComfoAir 150 ventilation unit was specially developed for wall installation in residential and commercial buildings with high ventilation demand. It can be installed horizontally or vertically. It combines maximum comfort, simple operation and high heat output. The Zehnder ComfoAir 150 can move up to 150 m³/h of air at an external pressure of 100 Pa.

Efficiency

The Zehnder ComfoAir 150 ventilation unit is fitted with a counterflow heat exchanger with an efficiency of up to 90%. In addition to the minimised heat demand for warming air, it also aids user comfort. (79% dry heat output acc. to Passive House Institute).

The air volumes of the seven selectable stages can be set to between 60 m³/h minimum and 150 m³/h maximum on the Zehnder ComfoAir 150.

Fans

The two supply and extract fans, which can be independently controlled, are driven by efficient DC motors. This allows differential pressures in the supply and extract air distribution systems to be compensated. By positioning the fans upstream of the heat exchanger only minor sound emissions occur.

The air volumes of the seven selectable stages can be set to between 60 m³/h minimum and 150 m³/h maximum on the Zehnder ComfoAir 150.

Filters

The Zehnder ComfoAir 150 has two coarse dust filters (G4) as standard. Filter replacement is monitored at defined intervals. The time of the next due filter replacement is shown on the control panel. In addition, a higher grade F8 pollen filter can be installed in the supply air (Zehnder article number 990 202 085).

Frost protection

The ventilation unit can be operated without an earth tube collector. The frost protection setting allows safe operation of the ventilation unit. The supply air fan is reduced when the exhaust air temperature falls to around freezing.

Operation

The ventilation unit is controlled via a control panel. The three operating modes and seven ventilation stages are adjustable. Balanced supply and extract air mode, pure supply air mode or pure extract air operation are the available modes. The defined fan stages and operating modes are shown by LEDs on the display.

The unit is provided with an intermittent ventilation function. During a defined period, the unit operates on the highest stage and then switches back to the originally defined stage. The intermittent ventilation can be interrupted by pressing the volume button.

Intermittent or party ventilation is initiated by pressing a button on the control panel or an additional button. This may be located in the kitchen or bathroom.



Ventilation unit

Zehnder ComfoAir 150

Control panel

The Zehnder ComfoAir 150 is equipped with a control panel. The defined fan stages, the operating mode and the upcoming filter replacement are displayed here by LEDs. The user thus always has an overview of all functions.



Installation

The Zehnder ComfoAir 150 is ideally suited to installation in a cabinet thanks to the slim dimensions. It can be installed horizontally or vertically, e.g. in the kitchen or a store room. This makes it particularly suitable for refurbishment, but also for new buildings.

Servicing

Zehnder ComfoAir 150 ventilation unit servicing is limited to regular filter replacement by the user. They are normally replaced on a quarterly basis. The heat exchanger must be cleaned every 2-3 years depending on how dirty the outside air is. This can be done by removing it from the unit and cleaning it with luke warm soapy water.

Summer setting

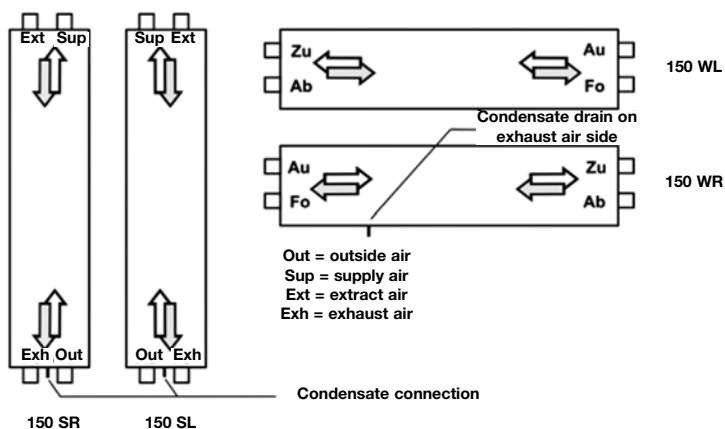
The Zehnder ComfoAir 150 ventilation unit can be switched to supply air only or extract air only, depending on the user's wishes. A simple button press on the control panel is enough.

Technical specifications

Subject to modifications without notice.

Unit type	Zehnder ComfoAir 150
Max. air volume (at 100 Pa)	165 m ³ /h
Min. air volume	60 m ³ /h
Efficiency	80%
Height	1400 mm
Width	320 mm
Depth	328 mm

Versions



Benefits

- Low power consumption thanks to DC motors
- Good heat recovery up to 90%
- Counterflow heat exchanger
- Control panel can be installed in switch box
- Quick and safe installation and maintenance
- Filter replacement indicator (time-controlled)
- Flexible horizontal or vertical installation

Article numbers

S/W = installation vertical/horizontal

L/R = supply air left/right

Door left/right = door hinge side

Product	Article number
Zehnder ComfoAir 150 SL, door on left, including control unit	990 202 001
Zehnder ComfoAir 150 SR, door on left, including control unit	990 202 002
Zehnder ComfoAir 150 SL, door on right, including control unit	990 201 995
Zehnder ComfoAir 150 SR, door on right, including control unit	990 201 996
Zehnder ComfoAir 150 WL, door at top, including control unit	990 201 997
Zehnder ComfoAir 150 WR, door at top, including control unit	990 201 998
Zehnder ComfoAir 150 WL, door at bottom, including control unit	990 201 999
Zehnder ComfoAir 150 WR, door at bottom, including control unit	990 202 000

Accessories

Junction 205 x 60 mm / DN 125	990 202 008
-------------------------------	-------------

Filters

Filter set for ComfoAir 150 G4 (2 pieces)	990 202 087
Pollen filter for ComfoAir 150 F8 (1 piece)	990 202 088

Description

The Zehnder ComfoAir 150 is a centralised, compact ventilation unit with highly efficient heat recovery for vertical or horizontal wall installation. The extremely compact design is excellently suited to refurbishment measures, but also for new buildings with only little available space.

The core of the ventilation unit is the patented plastic counterflow heat exchanger (PET). Two fans with 48 V DC motors guarantee low power consumption. The housing made of powder-coated sheet steel is acoustically and thermally insulated.

A control panel with seven fan stages and three operating modes is used as the controller.

The unit is equipped with an automatic frost protection setting.

The unit is delivered with a projecting terminal box. The electrical connections to the control panel and mains are made on site.

Class G4 filters are used for outside and extract air filters, or (optionally) F8 pollen filters.



ComfoAir 150 SL, door on left

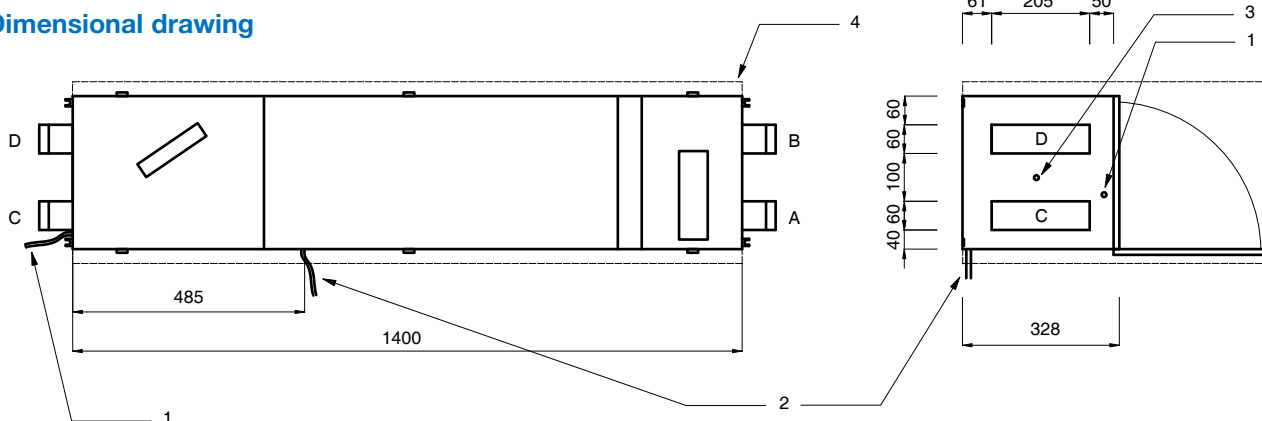
Ventilation unit

Zehnder ComfoAir 150

Scope of delivery

Unit type	Zehnder ComfoAir 150 R	Zehnder ComfoAir 150 L
Features		
Operating modes	3	3
Fan stages	7 - Off	7 - Off
Remote control	Control panel	Control panel
Connections for outside and exhaust air	205 x 60 mm	205 x 60 mm
Filters	G4 (F8 optional)	G4 (F8 optional)
Supply and extract air can be controlled separately	yes	yes
Projecting terminal box	yes	yes
Supply/extract air connection	right	left
Functions		
Frost protection function	yes	yes
Intermittent ventilation function	yes (150 minutes run-on)	yes (150 minutes run-on)
Controller for geothermal heat exchanger	no	no
Controller for electric heater	no	no
Controller for water postheater register	no	no
Operating mode display	yes	yes
Filter replacement indicator	yes	yes

Dimensional drawing



Type R unit: Zehnder ComfoAir 150 WR

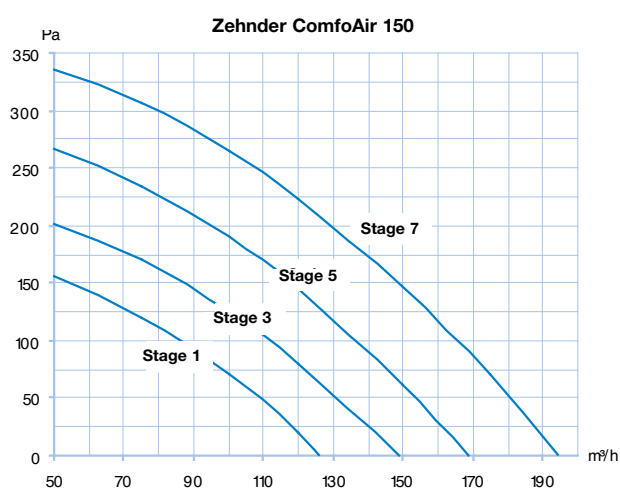
Key

Symbol	Meaning
A	Extract air
B	Supply air
C	Exhaust air
D	Outside air
1	Condensate drain with on site siphon (standing version)
2	Condensate drain with on site siphon (recumbent version)
3	Electrical connection
4	Installation space

Ventilation unit

Zehnder ComfoAir 150

Switch setting	Speed	Air volume	Pressure	Power	Installed noise level	Weight
Factory setting (speed)	%	Qv m ³ /h	ΔP_{st} Pa	consumption w	Lp(A) 3 m from unit dB(A)	kg
Zehnder ComfoAir 150						
1) Stage 1 - minimum	40%	111	45	37	27	35
(3) Stage 3	60%	128	60	48	29	
(5) Stage 5	80%	145	77	64	30	
(7) Stage 7 - maximum	100%	165	100	88	32	



Sound

The acoustic performance level is measured in the air connection orifices directly on the unit.

Acoustic performance level (L_w at 0 m distance)

Ventilation unit	Air direction	Speed	Range						
			125 Hz	250 Hz	500 Hz	1000 Hz	2000 Hz	4000 Hz	8000 Hz
Zehnder ComfoAir 150	Supply air	7 - maximum	58	62	62	52	46	29	21
Zehnder ComfoAir 150	Extract air	7 - maximum	59	57	57	46	38	21	20
Zehnder ComfoAir 150	Outside air	7 - maximum	64	63	63	55	58	48	37
Zehnder ComfoAir 150	Exhaust air	7 - maximum	65	68	69	66	64	61	50

CDE-FLYERTS120, V1209, en, subject to changes