

Fresh Air Ventilation

Product Information

VL 100U-E

Total Heat Exchanger

Making a
World of
Difference



 Lossnay

Easy to install, efficient single room ventilation

The VL100U-E total heat exchanger is part of Mitsubishi Electric's energy efficient Lossnay range. With modern homes being built to stricter Building Regulations that call for highly insulated homes, the need for ventilation to remove stale air without major heat loss is key. The VL100U-E unit supplies fresh air inside a room using simultaneous supply and extract operation in an energy efficient manner. The recovery of both latent heat and sensible heat ensures a comfortable internal environment as well as reducing heat losses hence saving both energy and costs.

Key Features

- Effective fresh air ventilation
- Improved air quality and comfort
- Efficient heat recovery
- Good sound attenuation
- Simple installation
- Low power consumption
- Up to 77% heat recovery

 **MITSUBISHI
ELECTRIC**
LIVING ENVIRONMENTAL SYSTEMS

Air Conditioning | Commercial Heating
Domestic Heating | Photovoltaics



Fresh Air Ventilation

Product Information

VL 100U-E Total Heat Exchanger

Making a
World of
Difference



FEATURES



Auto-Restart



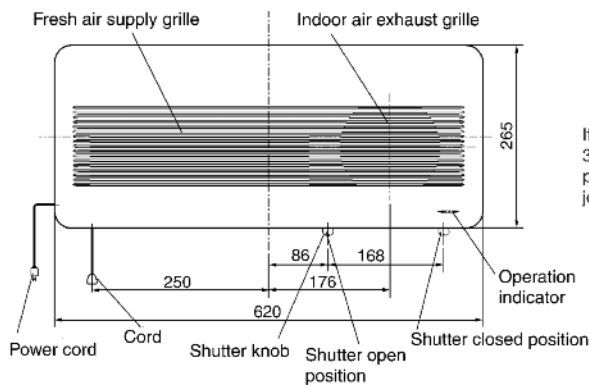
Standard filter

LOSSNAY

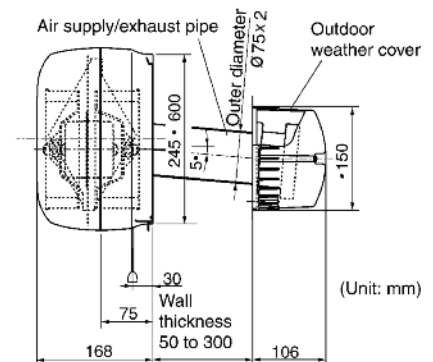
RESIDENTIAL WALL - MOUNTED VL 100U-E

Electrical Power Supply		220-240V, 50Hz
Phase		Single
Power Consumption (W)	Low	23
	High	26
Airflow (m ³ /h)	Low	65
	High	105
Specific Fan Power (W/(l/s))	Low	1.27
	High	0.89
Noise (dBA)	Low	29.5
	High	39
Temperature Exchange Efficiency (%)	Low	77
	High	70
Weight (kg)		6.5
Dimensions (mm)	Width	620
	Depth	168
	Height	265
Duct Size (mm)		2 x Ø75
Fuse Rating (BS88) - HRC (A)		6
Mains Cable No. Cores		3

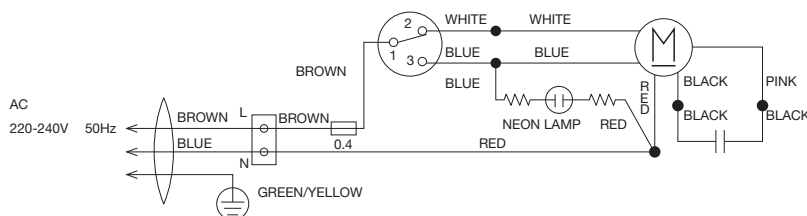
VL 100U-E DIMENSIONS



If the wall is thicker than 300 mm, use the extension pipes and the pipe extension joints (separately sold parts).



WIRING DIAGRAM



Telephone: 01707 282880

email: heating@meuk.mee.com web: www.domesticheating.mitsubishielectric.co.uk

UNITED KINGDOM Mitsubishi Electric Europe Living Environmental Systems Division
Travellers Lane, Hatfield, Hertfordshire, AL10 8XB, England General Enquiries Telephone: 01707 282880 Fax: 01707 278881
IRELAND Mitsubishi Electric Europe Westgate Business Park, Ballymount, Dublin 24, Ireland
Telephone: Dublin (01) 419 8800 Fax: Dublin (01) 419 8890 International code: (003531)



www.greengateway.mitsubishielectric.co.uk
Mitsubishi Electric's commitment
to the environment



Country of origin: United Kingdom - Japan - Thailand - Malaysia. ©Mitsubishi Electric Europe 2011. Mitsubishi and Mitsubishi Electric are trademarks of Mitsubishi Electric Europe B.V. The company reserves the right to make any variation in technical specification to the equipment described, or to withdraw or replace products without prior notification or public announcement. Mitsubishi Electric is constantly developing and improving its products. All descriptions, illustrations, drawings and specifications in this publication present only general particulars and shall not form part of any contract. All goods are supplied subject to the Company's General Conditions of Sale, a copy of which is available on request. Third-party product and brand names may be trademarks or registered trademarks of their respective owners.